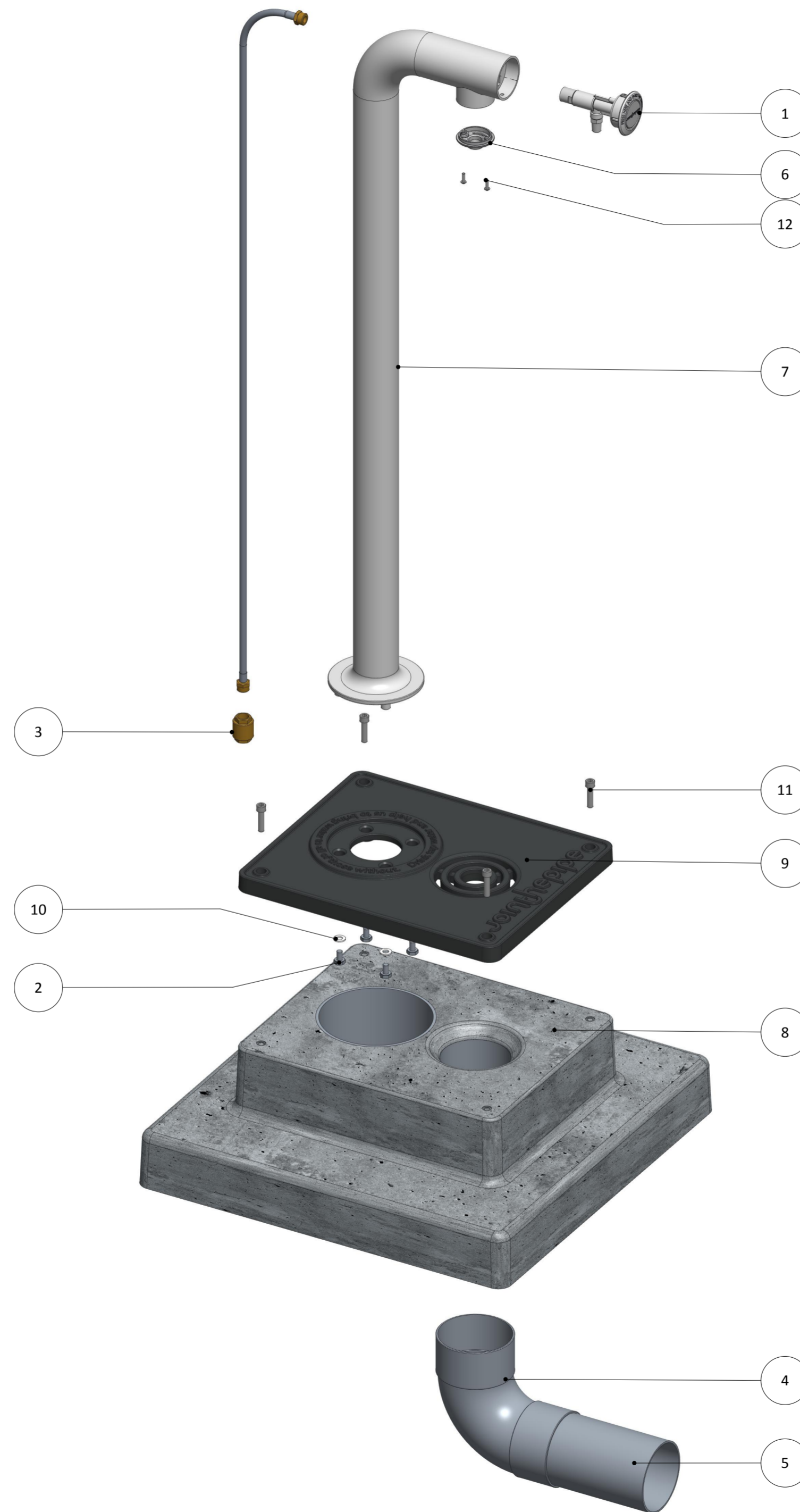


material	part name	proj.nr.	A
treatment	tapstation standard (mould)	0104	B
tolerances acc. to	drawing number	0104-TS-STANDAARD_MAL	C
project	status	for information only	D
tapstation V2.0	date	24-05-18	E
client	size	A1	F
Join the Pipe	scale	1:5	projection
	units	mm	MSch
	drawn by		sheet
			1/2



pos.	part name	qty.	material/description	drawing number
1	tap assembly	1		0104-TS-KRAANHUIS
2	hex head bolt	4		
3	check valve	1	2 x 1/2" BSP, Kiwa	
4	bend	1	Ø 125 mm, PVC	
5	drain pipe	1	Ø 125x3.2 mm, PVC	
6	nozzle screwed part	1	AISI 304	0104-TS-111_CAST_1
7	pole standard welding assy	1	AISI 304	0104-TS-124-STANDAARD
8	base tapstation	1	beton	0104-TS-310
9	base plate with drain	1	GGG 40, DIN EN 1563	0104-TS-118
10	plain washer	4	M10, DIN125 A	
11	hex socket head screw	4	M10x40, DIN912	
12	hex socket button head screw	2	M5x16, ISO 7380, A2	

material	part name tapstation standard (mould)	project nr. 0104	A
treatment	drawing number 0104-TS-STANDAARD_MAL	revision C	B
tolerances acc. to	status for information only	date 24-05-18	D
project tapstation V2.0	Bethaniëndwarsstraat 6/B	size A2	E
client Join the Pipe	1012 CB Amsterdam +31(0)20-6252915 www.dwarsontwerp.nl	scale 3:20	F
	<b>DWAARS</b> ontwerp	units mm	projection sheet 2/2