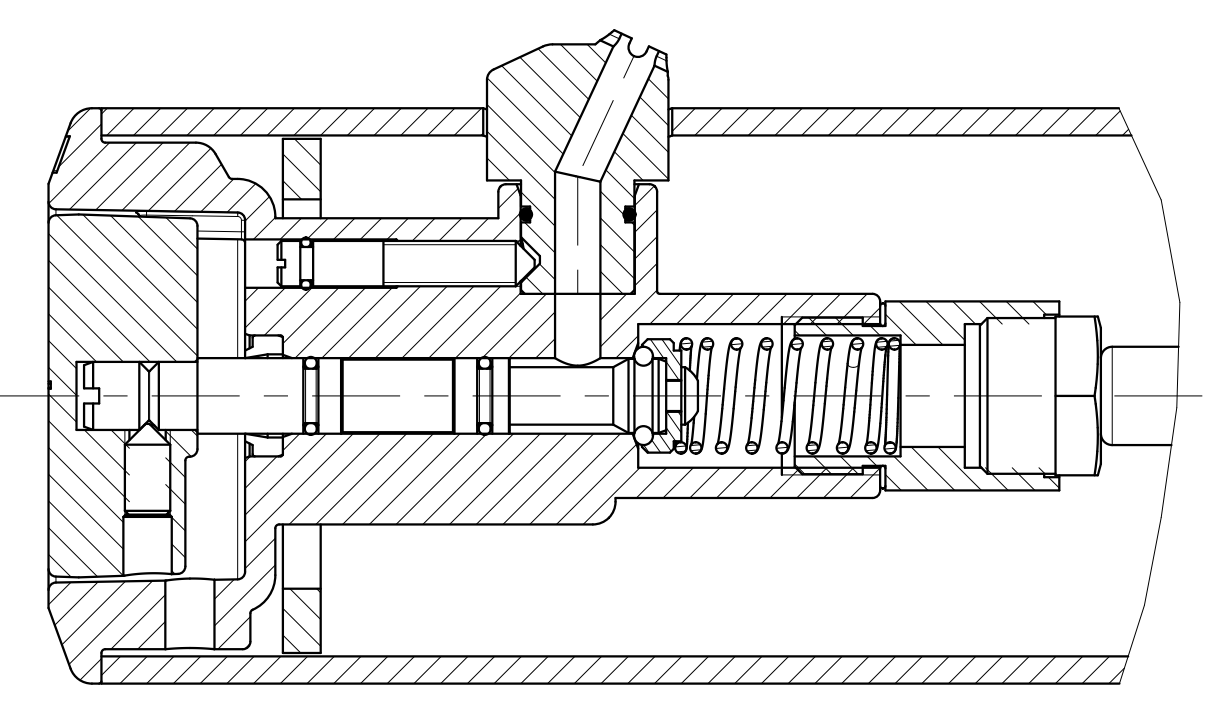
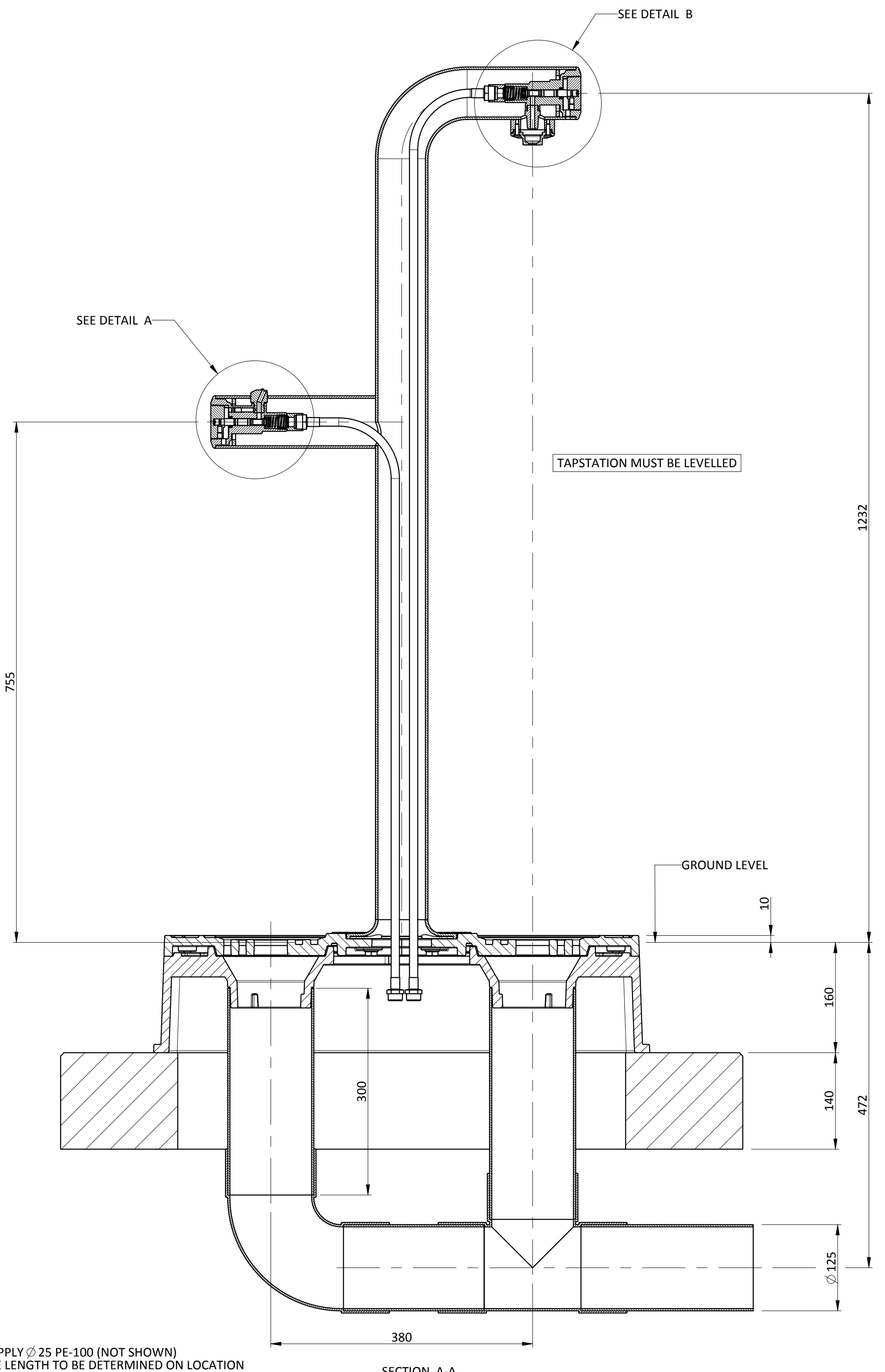
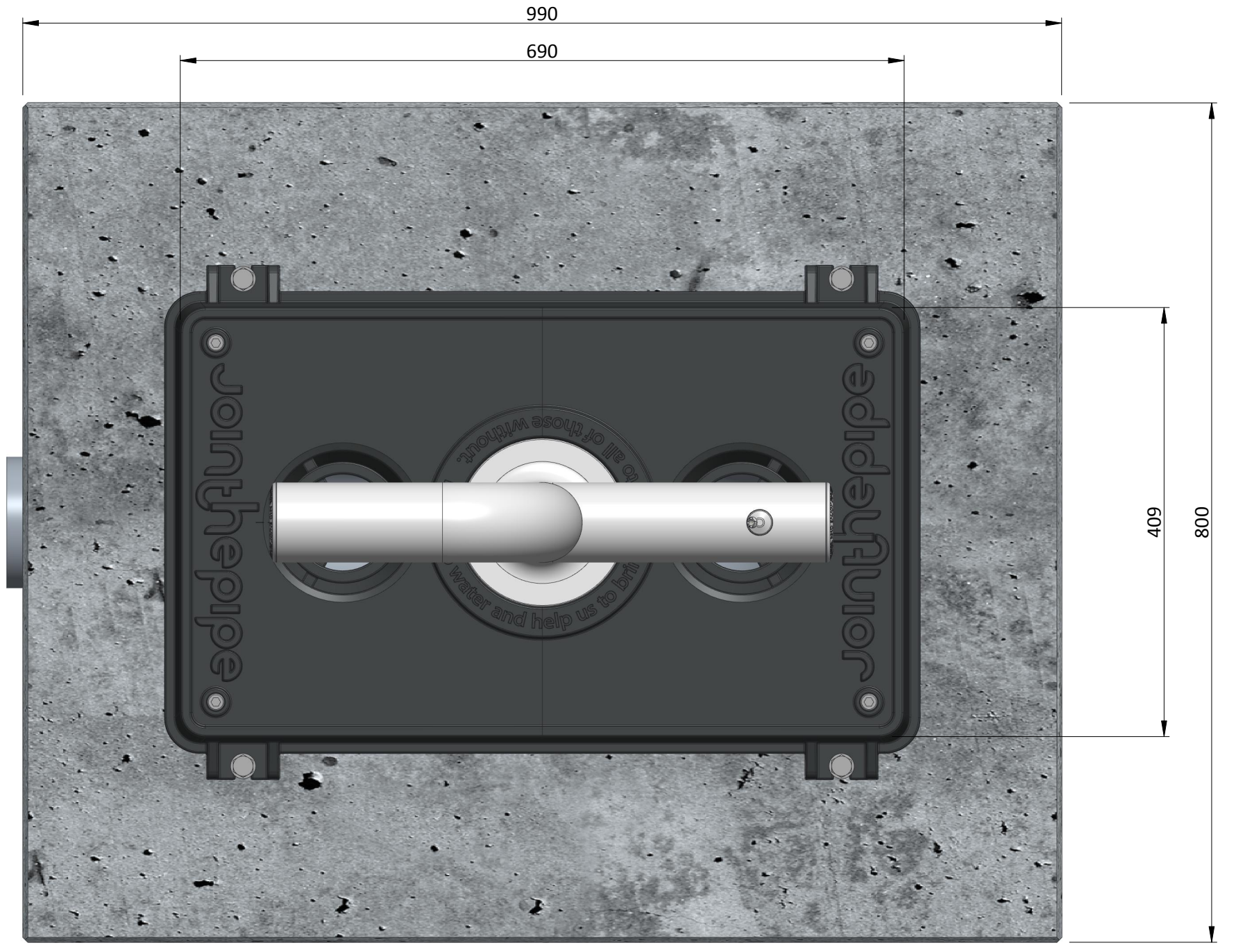


DETAIL B
SCALE 1:1



DETAIL A
SCALE 1:1

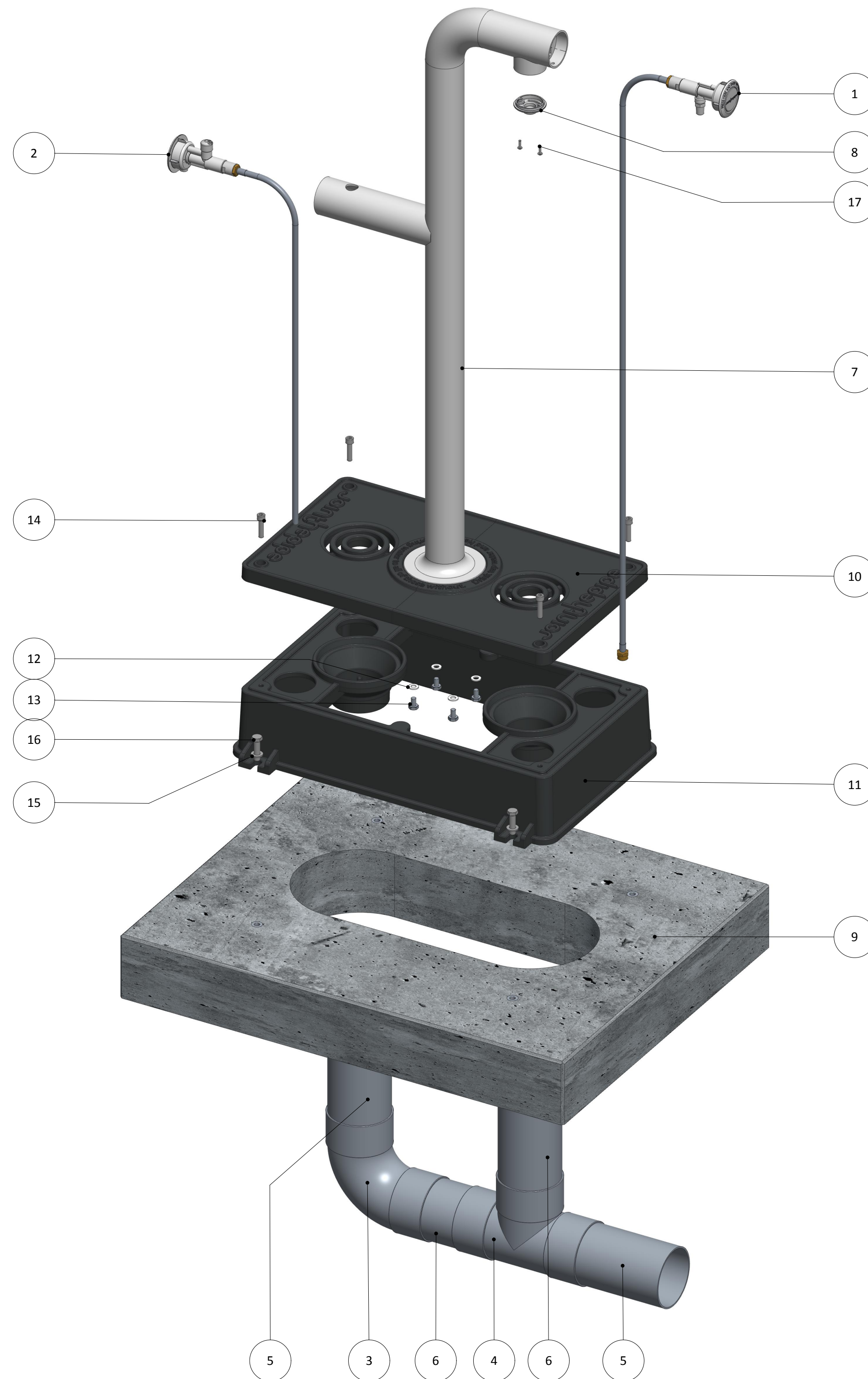


SECTION A-A



REMARKS:
- WATER SUPPLY Ø 25 PE-100 (NOT SHOWN)
- DRAIN PIPE LENGTH TO BE DETERMINED ON LOCATION

material	part name	proj.nr.	A
treatment	tapstation with happer	0104	B
tolerances acc. to	drawing number	0104-TS-HAPPER_DUBBEL	C
project	status	for information only	D
tapstation V2.0	date	27-11-18	E
client	size	A1	F
Jointhepipe	scale	1:5	projection
	units	mm	MSch
	drawn by		sheet
			1/2



pos.	part name	qty.	material/description	drawing number
1	tap assembly	1		0104-TS-KRAANHUIS
2	tap assembly happer	1		0104-TS-KRAANHUIS_HAPPER
3	bend	1	Ø 125 mm, PVC	
4	T-piece	1	Ø 125 mm, PVC	
5	drain pipe	2	Ø 125x3.2 mm, PVC	
6	drain pipe	2	Ø 125x3.2 mm, PVC	
7	pole happer welding assy	1	AISI 304	0104-TS-102-HAPPER
8	nozzle screwed part	1	AISI 304	0104-TS-111_CAST_1
9	foundation tapstation	1	beton	0104-TS-314
10	foot with double drain	1	GGG 40 vlg. DIN EN 1563	0104-TS-127
11	frame with double drain	1	GGG 40 vlg. DIN EN 1563	0104-TS-221
12	plain washer	4	M10, DIN125 A	
13	hex head bolt	4	M10x16, DIN933	
14	hex socket head screw	4	M10x40, DIN912	
15	plain washer	4	M12, DIN125 A	
16	hex head bolt	4	M12x45, DIN931	
17	hex socket button head screw	2	M5x16, ISO 7380, A2	

material	part name tapstation with happer	project nr. 0104	A
treatment	drawing number 0104-TS-HAPPER_DUBBEL	revision	B
tolerances acc. to	status for information only	date	C
project	Bethaniëndwarsstraat 6/B	date	D
tapstation V2.0	1012 CB Amsterdam	size	E
client	+31(0)20-6252915	size	A2
Jointhepipe	www.dwarsontwerp.nl	units	mm
		scale	1:10
		projection	1:10
		drawn by	MSch
		sheet	2/2