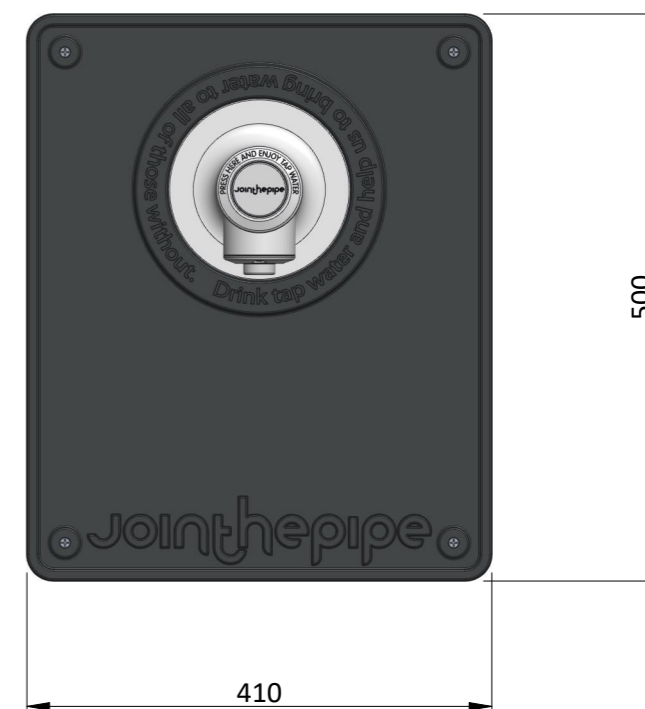
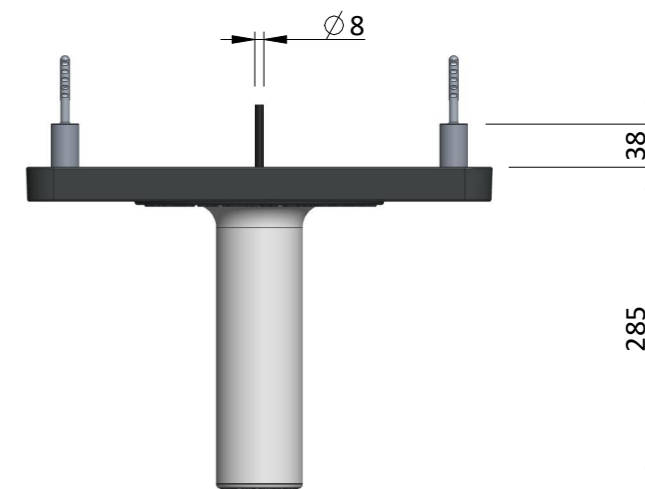
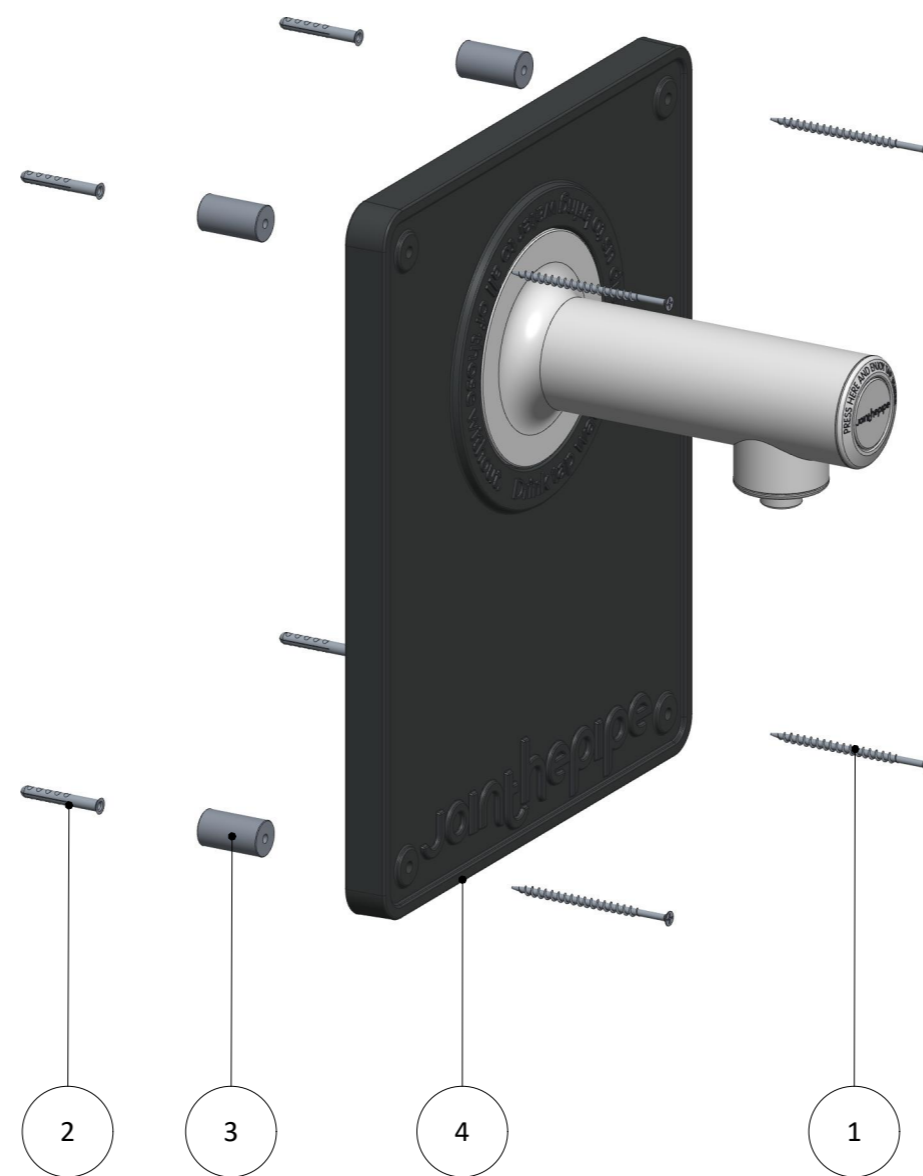


pos.	part name	qty.	material/description	drawing number
1	screw	4	Ø6x120 mm	
2	screw plug	4	Ø8x60 mm	
3	spacer	4	Al	0104-TS-156
4	wall tap	1		0104-TS-021



name	<b>INSTALLATION WALL TAP</b>
drawing number	0104-TS-021_INST_EN
sheet	1 /1
date	2020.06.29
water supply connection	8mm (flexible hose)
max. water pressure	3.0 bar
water outlet connection	n.a.
remark	shut off and drain the water supply in case of frost
<b>WATER TAP MUST BE LEVELLED</b>	