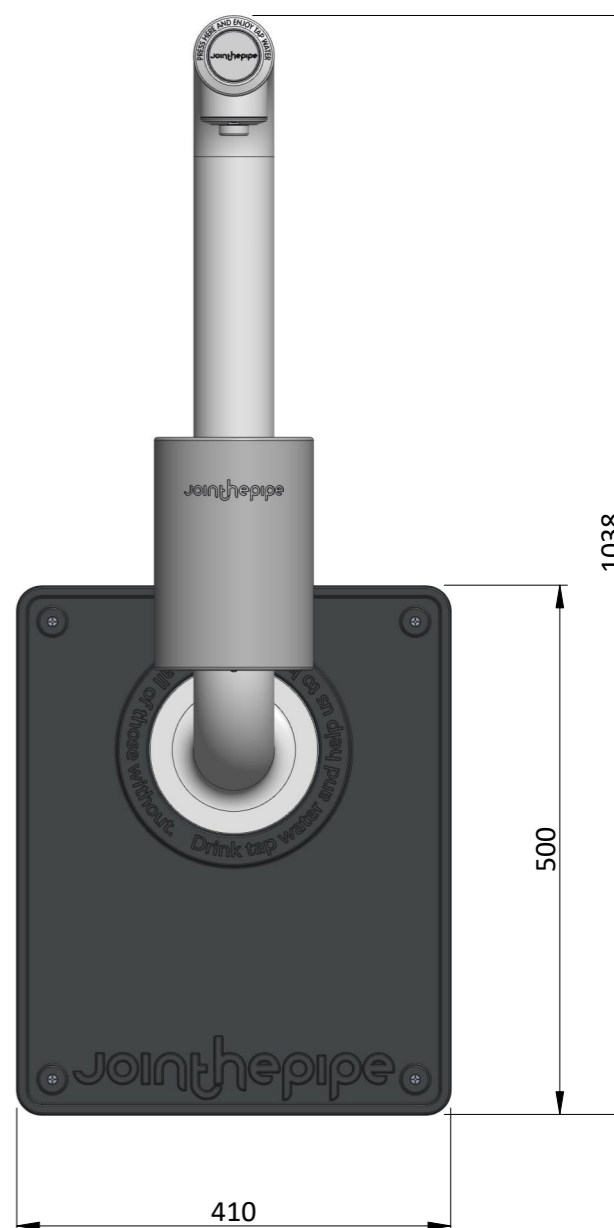
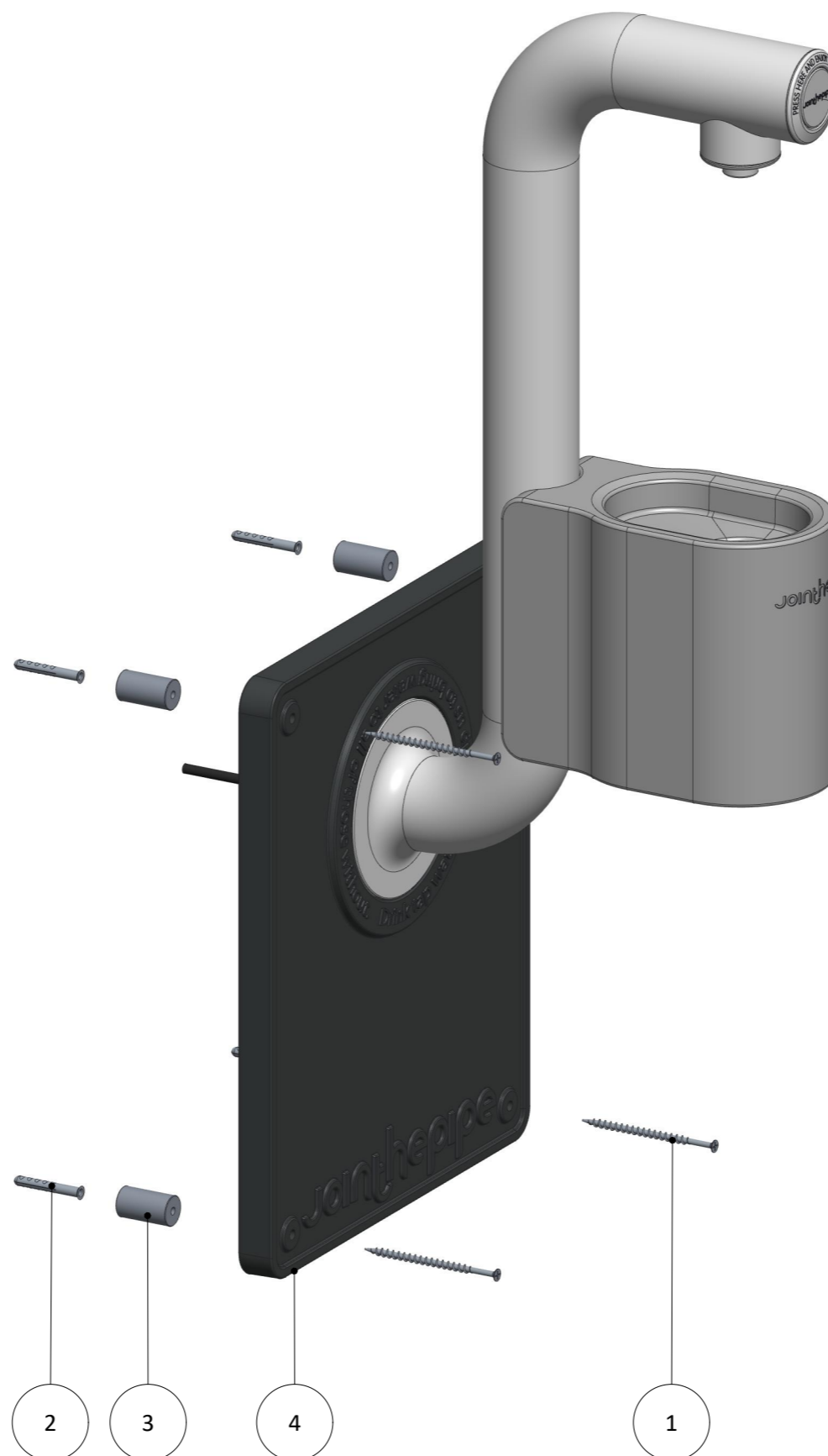
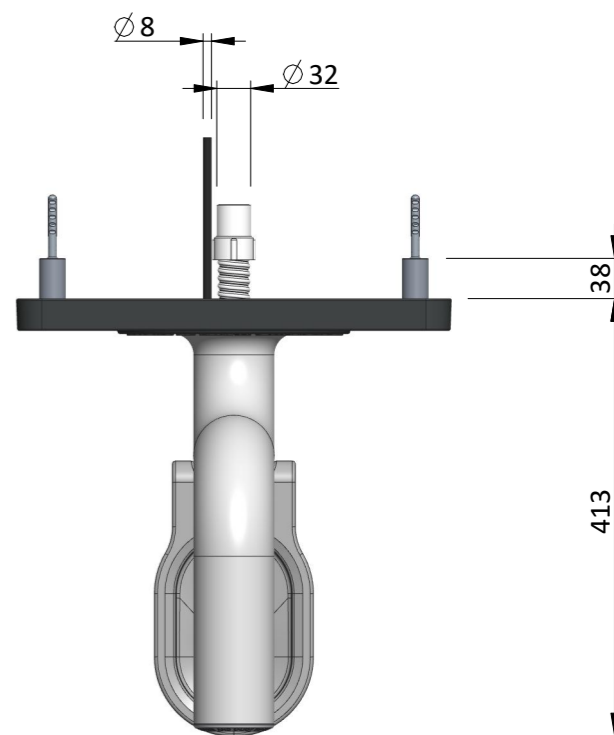


pos.	part name	qty.	material/description	drawing number
1	screw	4	∅ 6x120 mm	
2	screw plug	4	∅ 8x60 mm	
3	spacer	4	Al	0104-TS-156
4	wall tap with driptray	1		0104-TS-020



name	INSTALLATION WALL TAP WITH DRIPTRAY
drawing number	0104-TS-020_INST_EN
sheet	1 / 1
date	2020.06.29
water supply connection	8mm (flexible hose)
max. water pressure	3.0 bar
water outlet connection	32 mm (flexible hose)
remark	shut off and drain the water supply in case of frost
WATER TAP MUST BE LEVELLED	