



Zip HydroTap Classic Plus

FILTERED: BOILING CHILLED SPARKLING

The world's most advanced drinking water system, the HydroTap Classic Plus delivers a choice of instant filtered boiling, chilled and sparkling water for workplaces of all sizes. From a single tap and under counter command centre, the Classic Plus dispenses only the purest tasting water, filtered to a market-leading 0.2 micron - 25 times more effective than a standard water filter jug. To prioritise user safety, the HydroTap doesn't splash or spit when dispensing water, and features two boiling water safety modes and a cool to touch tap. What's more, the HydroTap features superior technology to conserve water while saving energy and time.



Actual product may vary slightly depending on functionality. The image shown is a representation only.

STANDARD



| MODEL | MIXED HOT AND COLD | FILTRATION 0.2 MICRON | FONT | CO ₂ | NOMINAL POWER RATING KW | COMMAND CENTRE DIMENSIONS W X D X H |
|-------------|--------------------|-----------------------|------|-----------------|-------------------------|-------------------------------------|
| H55762Z03UK | N | Y | Y | Y | 2.3 kW @ 230V AC | 500mm x 520mm x 373mm |

For details of the alternative tap finishes and accessories please see the 'Accessories' section

Features and benefits

Advanced filtration

Zip MicroPurity™ filters remove particles larger than 0.2 micron, such as dirt, lead and microplastics, as well as 97% of chlorine and 99.9% of microbiological cysts, providing pure-tasting drinking water.

Environmentally conscious operation

The HydroTap boasts a range of eco-friendly functionalities, including water conserving air cooling technology, the use of zero-impact refrigerant gas R290 and energy saving sleep modes.

Unique user-safety options

The Zip HydroTap is designed with safety in mind, with boiling isolation, cool touch tap and safety lock features. The boiling point is factory set to 98 degrees celsius, to avoid spluttering steam.

Enhanced hygiene

The 5th generation HydroTap command centre has SteriTouch® embedded throughout the water path. This reduces surface bacteria by 99.99% providing extra protection.

Product detail

Specification type

| | |
|--------------|--|
| Product code | H55762Z03UK |
| Product name | HydroTap G5 Classic Plus boiling chilled sparkling 160/175 matt black for work |

Capacity, weights & dimensions

| | |
|-------------------------------|-----------------------------|
| Water functions | Boiling, Chilled, Sparkling |
| Boiling capacity | 160 Cups per hour |
| Chilled capacity | 175 Glasses per hour |
| Sparkling capacity | 175 Glasses per hour |
| Unit dimension (W x D x H) | 500mm x 520mm x 373mm |
| Product weight - empty / full | 39kg / 47kg |

Plumbing

| | |
|---------------------------------------|---|
| Wholesome water inlet supply required | Cold Feed |
| Supply pressure range | 2.5bar - 5bar |
| Supply connection (hot & cold) | 1 x isolated 1/2"BSP BSP fitting (flexible supply hoses included) |
| Installation | Must comply with current water supply regulations |

The minimum water pressure will vary if a limescale filter is installed. Please contact us to discuss your requirements.

Electrical

| | |
|-----------------------------|--|
| Command centre power rating | 2.3 kW @ 230V AC |
| Voltage supply | 13 amps |
| Power supply requirements | 1 x 13amp socket outlet |
| Cable length | 1.8m fitted with UK standard 3-pin plug |
| Installation | Must comply with current IEE regulations |

Tap design

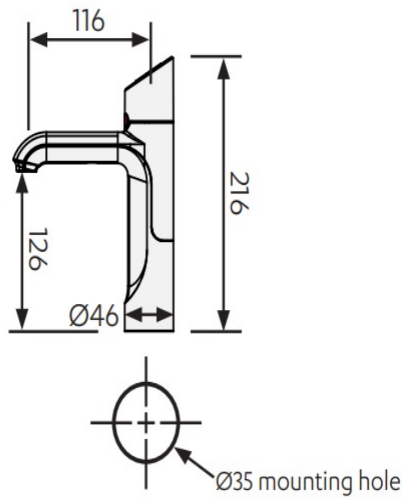
| | |
|----------------------------|-----------------------|
| Style | HydroTap Classic Plus |
| Finish | Matt Black |
| Installation hole cut size | 35mm |
| Rotation | Fixed |
| Disability options | No |
| Country of Origin | Australia |

Command centre

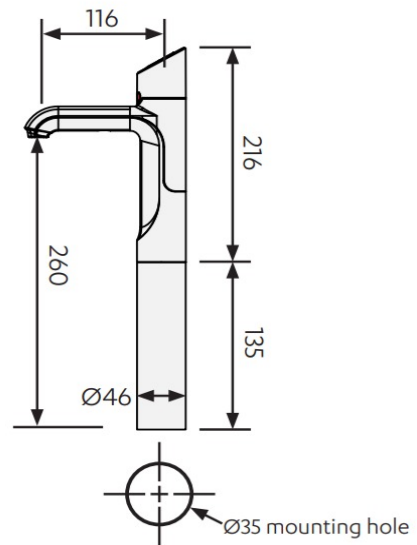
| | |
|-------------------------------------|-----------------------------|
| Factory temperature boiling | 98°C |
| Factory temperature chilled | 3-5°C |
| Filtration | 0.2 Micron Filter Cartridge |
| Flow rate | 4 l/min |
| Wholesome water supply requirements | Cold Feed |
| Refrigerant | R290 |
| Tank material | Stainless Steel |
| Country of origin | Australia |

Tap installation

Classic Plus



Classic Plus + extension



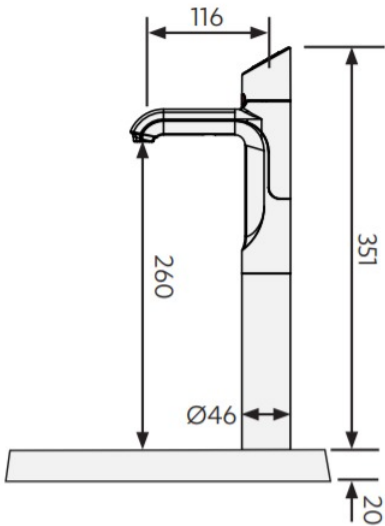
Integrated font



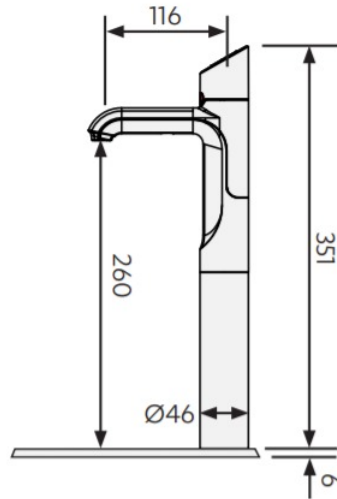
Raised Font



Classic Plus on Raised font

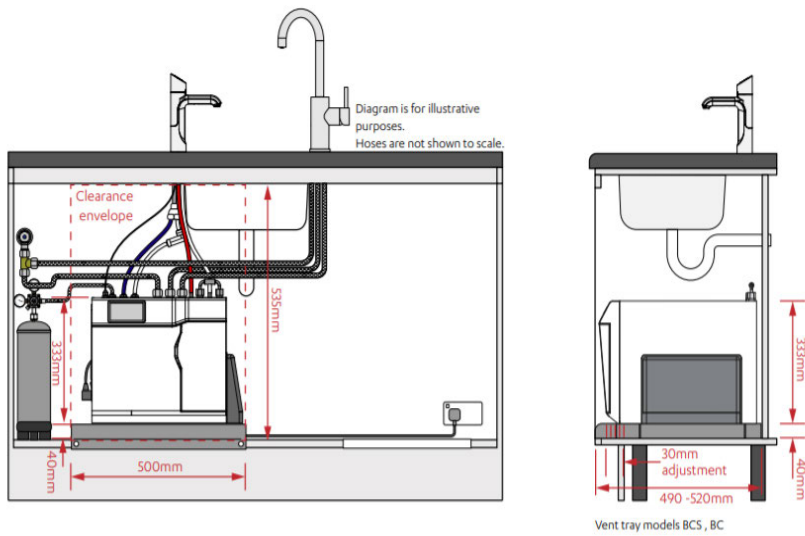


Classic Plus on Classic font

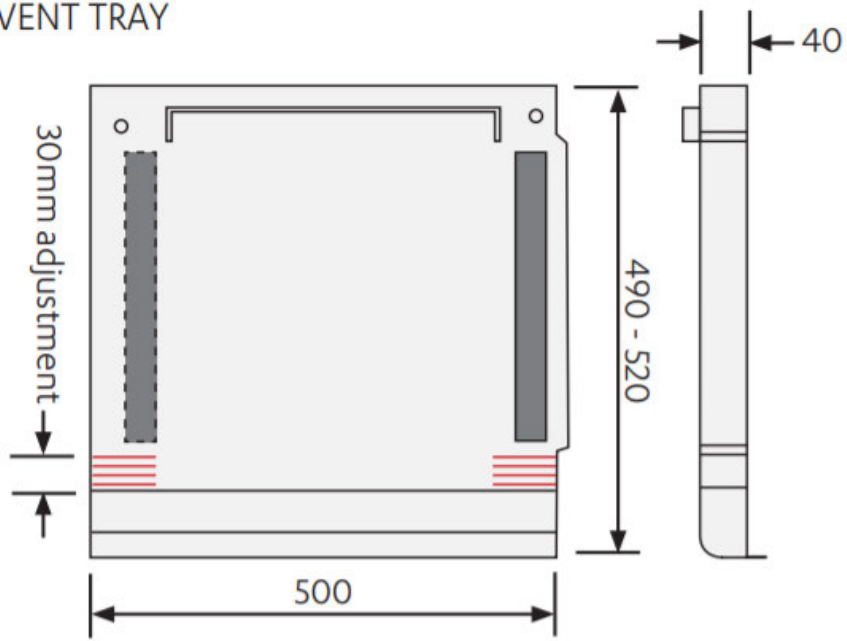


Under-counter unit installation

Clearance space required
for under counter unit










VENT TRAY



Accessories

Visit specify.zipwater.co.uk to find out more information about Zip HydroTap Classic Plus Accessories

| Image | SKU | Title |
|---|------------|--|
|  | 95258Z03UK | Matt black G5 raised font kit |
|  | 90915Z3UK | Integrated tap font for HydroTap Classic & Wave matt black |
|  | 91295 | CO2 Replacement cylinders 2 x 1.2kg |
|  | FL500 KIT | Limescale prevention filter kit 3,750 litres |
|  | FL1000 KIT | Limescale prevention filter kit 7,000 litres |
|  | FL1500 KIT | Limescale prevention filter kit 10,000 litres |
|  | FL2000 KIT | Limescale prevention filter kit 16,500 litres |