



# Zip HydroTap Touch-Free Wave

**FILTERED: BOILING**

With an increased consideration around hygiene in the workplace, the new Zip HydroTap Touch Free Wave uses smart infrared sensors to provide a 100% touch-free, safe to use solution for workplaces to access instant boiling drinking water with a simple wave of the hand. A reliable solution for a range of locations, the tap boasts a number of safety features to prevent the accidental dispense of water. Like all our other HydroTaps, the Touch Free Wave offers cutting-edge technology to conserve water, energy and time, with market-leading 0.2 micron filtration – 25 times more effective than a standard water filter jug.



Actual product may vary slightly depending on functionality. The image shown is a representation only.

STANDARD



MODEL	MIXED HOT AND COLD	FILTRATION 0.2 MICRON	FONT	CO <sub>2</sub>	NOMINAL POWER RATING KW	COMMAND CENTRE DIMENSIONS W X D X H
H5W707Z00UK	N	Y	Y	N	1.9 kW @ 230V AC	280mm x 313mm x 333mm

For details of the accessories please see the 'Accessories' section

## Features and benefits

### Advanced filtration

Zip MicroPurity™ filters remove particles larger than 0.2 micron, such as dirt, lead and microplastics, as well as 97% of chlorine and 99.9% of microbiological cysts, providing pure-tasting drinking water.

### Environmentally conscious operation

The HydroTap boasts a range of eco-friendly functionalities, including water conserving air cooling technology, the use of zero-impact refrigerant gas R290 and energy saving sleep modes.

### Unique user-safety options

The Zip HydroTap is designed with safety in mind, with boiling isolation, cool touch tap and safety lock features. The boiling point is factory set to 98 degrees celsius, to avoid spluttering steam.

### Enhanced hygiene

The 5th generation HydroTap command centre has SteriTouch® embedded throughout the water path. This reduces surface bacteria by 99.99% providing extra protection.

## Product detail

---

### Specification type

---

Product code	H5W707Z00UK
Product name	HydroTap G5 Touch Free Wave boiling 240 bright chrome for work

---

### Capacity, weights & dimensions

---

Water functions	Boiling
Boosted boiling capacity	240 Cups per hour
Unit dimension (W x D x H)	280mm x 313mm x 333mm
Product weight - empty / full	11kg / 14kg

---

### Plumbing

---

Wholesome water inlet supply required	Cold Feed
Supply pressure range	1.7bar - 5bar
Supply connection (hot & cold)	1 x isolated 1/2" BSP BSP fitting (flexible supply hoses included)
Installation	Must comply with current water supply regulations

---

The minimum water pressure will vary if a limescale filter is installed. Please contact us to discuss your requirements.

### Electrical

---

Command centre power rating	1.9 kW @ 230V AC
Booster power rating	2.2 kW @ 230V
Voltage supply	13 amps
Power supply requirements	2 x 13amp socket outlet
Cable length	1.8m fitted with UK standard 3-pin plug
Installation	Must comply with current IEE regulations

---

## Tap design

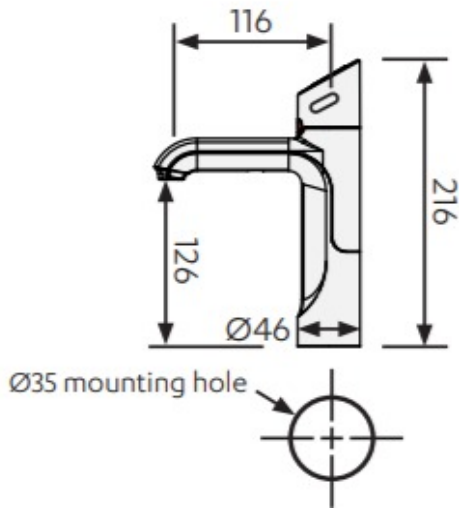
Style	HydroTap Touch-Free Wave
Finish	Bright Chrome
Installation hole cut size	35mm
Rotation	Fixed
Disability options	No
Country of Origin	Australia

## Command centre

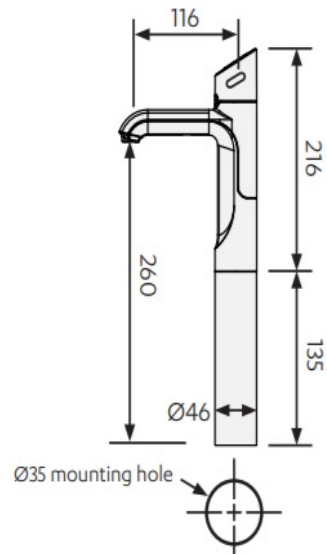
Factory temperature boiling	98°C
Filtration	0.2 Micron Filter Cartridge
Flow rate	4 l/min
Wholesome water supply requirements	Cold Feed
Tank material	Stainless Steel
Country of origin	Australia

# Tap installation

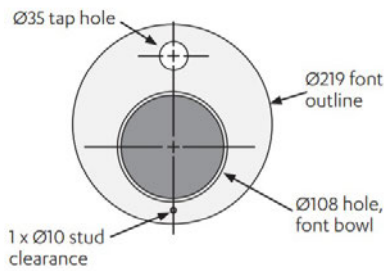
## Wave



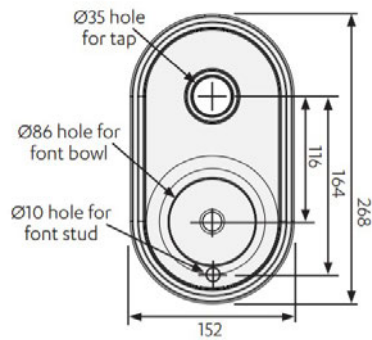
## Wave + extension



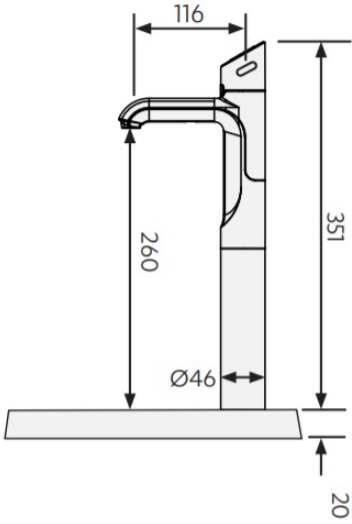
## Integrated font



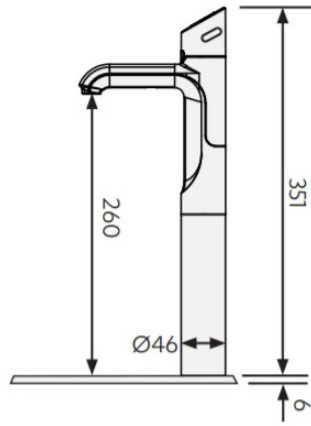
## Raised Font



Wave on Raised font

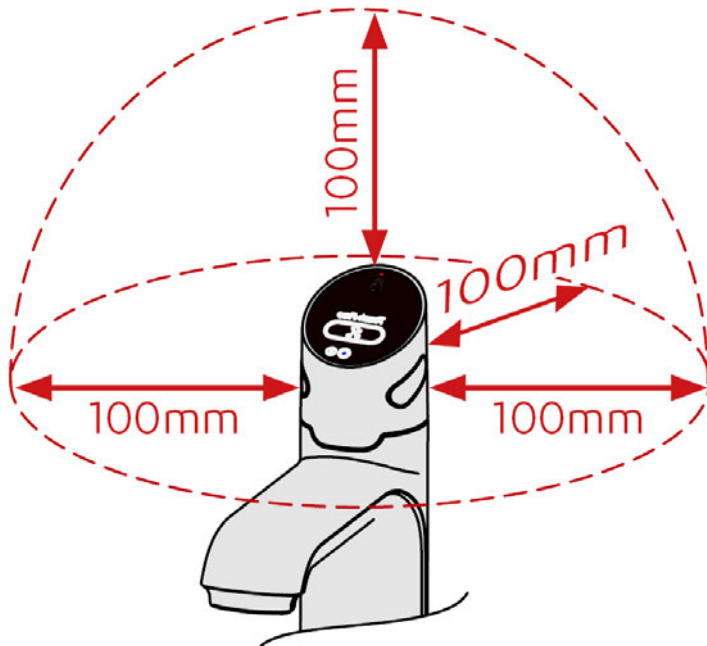


Wave on Classic font



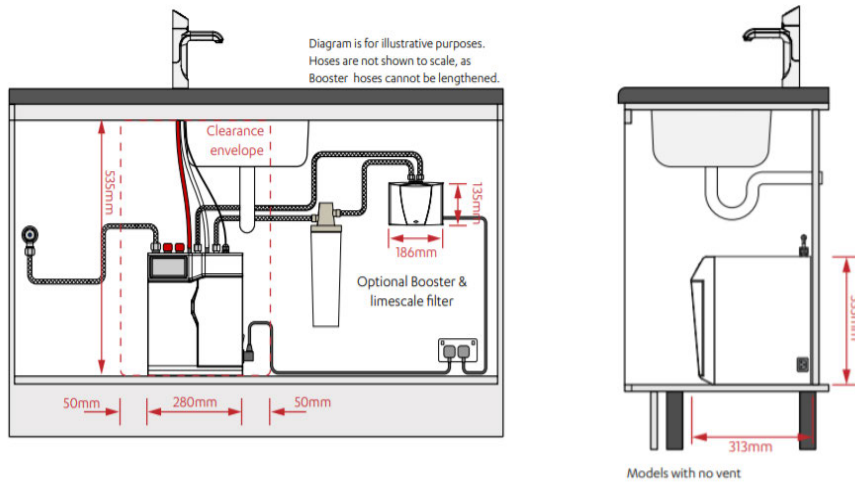
### Tap Clearance

---



## Under-counter unit installation







Clearance space required  
for under counter unit



## Accessories

---

Visit [specify.zipwater.co.uk](https://specify.zipwater.co.uk) to find out more information about Zip HydroTap Touch-Free Wave Accessories

Image	SKU	Title
	95258UK	Bright chrome G5 raised font kit
	FL500 KIT	Limescale prevention filter kit 3,750 litres
	FL1000 KIT	Limescale prevention filter kit 7,000 litres
	FL1500 KIT	Limescale prevention filter kit 10,000 litres
	FL2000 KIT	Limescale prevention filter kit 16,500 litres
	91295	CO2 Replacement cylinders 2 x 1.2kg