



Zip HydroTap Touch-Free Wave

FILTERED: BOILING CHILLED SPARKLING

With an increased consideration around hygiene in the workplace, the new Zip HydroTap Touch Free Wave uses smart infrared sensors to provide a 100% touch-free, safe to use solution for workplaces to access instant boiling, chilled and sparkling drinking water with a simple wave of the hand. A reliable solution for a range of locations, the tap boasts a number of safety features to prevent the accidental dispense of water. Like all our other HydroTaps, the Touch Free Wave offers cutting-edge technology to conserve water, energy and time, with market-leading 0.2 micron filtration – 25 times more effective than a standard water filter jug.



Actual product may vary slightly depending on functionality.
The image shown is a representation only.

STANDARD



MODEL	MIXED HOT AND COLD	FILTRATION 0.2 MICRON	FONT	CO ₂	NOMINAL POWER RATING KW	COMMAND CENTRE DIMENSIONS W X D X H
H5W762Z00UK	N	Y	Y	Y	2.3 kW @ 230V AC	500mm x 520mm x 373mm

For details of the accessories please see the 'Accessories' section

Features and benefits

Advanced filtration

Zip MicroPurity™ filters remove particles larger than 0.2 micron, such as dirt, lead and microplastics, as well as 97% of chlorine and 99.9% of microbiological cysts, providing pure-tasting drinking water.

Environmentally conscious operation

The HydroTap boasts a range of eco-friendly functionalities, including water conserving air cooling technology, the use of zero-impact refrigerant gas R290 and energy saving sleep modes.

Unique user-safety options

The Zip HydroTap is designed with safety in mind, with boiling isolation, cool touch tap and safety lock features. The boiling point is factory set to 98 degrees celsius, to avoid spluttering steam.

Enhanced hygiene

The 5th generation HydroTap command centre has SteriTouch® embedded throughout the water path. This reduces surface bacteria by 99.99% providing extra protection.

Product detail

Specification type

Product code	H5W762Z00UK
Product name	HydroTap G5 Touch Free Wave boiling chilled sparkling 160/175 bright chrome for work

Capacity, weights & dimensions

Water functions	Boiling, Chilled, Sparkling
Boiling capacity	160 Cups per hour
Chilled capacity	175 Glasses per hour
Sparkling capacity	175 Glasses per hour
Unit dimension (W x D x H)	500mm x 520mm x 373mm
Product weight - empty / full	39kg / 47kg

Plumbing

Wholesome water inlet supply required	Cold Feed
Supply pressure range	2.5bar - 5bar
Supply connection (hot & cold)	1 x isolated 1/2"BSP BSP fitting (flexible supply hoses included)
Installation	Must comply with current water supply regulations

The minimum water pressure will vary if a limescale filter is installed. Please contact us to discuss your requirements.

Electrical

Command centre power rating	2.3 kW @ 230V AC
Voltage supply	13 amps
Power supply requirements	1 x 13amp socket outlet
Cable length	1.8m fitted with UK standard 3-pin plug
Installation	Must comply with current IEE regulations

Tap design

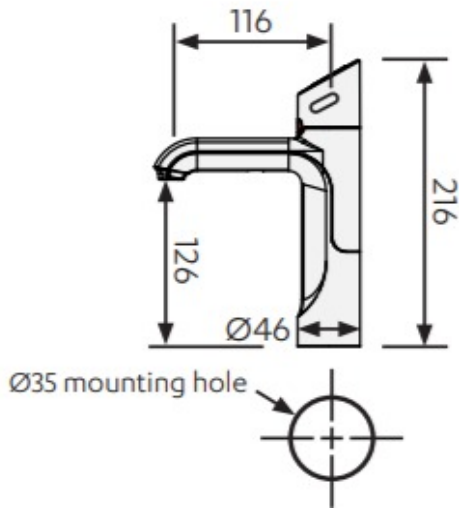
Style	HydroTap Touch-Free Wave
Finish	Bright Chrome
Installation hole cut size	35mm
Rotation	Fixed
Disability options	No
Country of Origin	Australia

Command centre

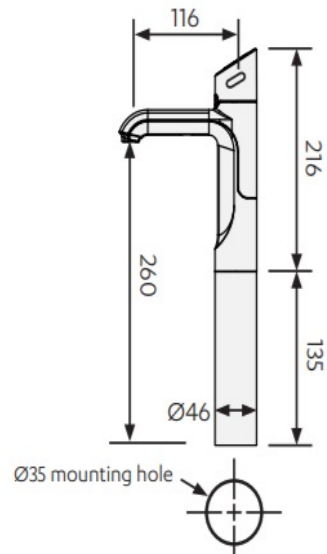
Factory temperature boiling	98°C
Factory temperature chilled	3-5°C
Filtration	0.2 Micron Filter Cartridge
Flow rate	4 l/min
Wholesome water supply requirements	Cold Feed
Refrigerant	R290
Tank material	Stainless Steel
Country of origin	Australia

Tap installation

Wave



Wave + extension



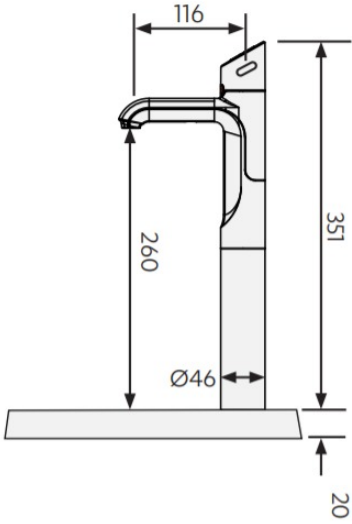
Integrated font



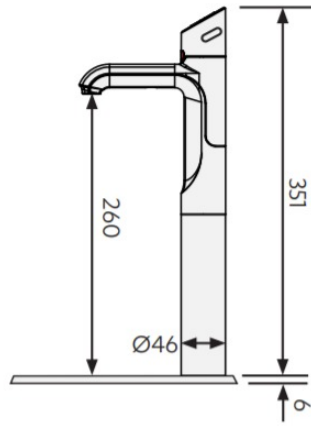
Raised Font



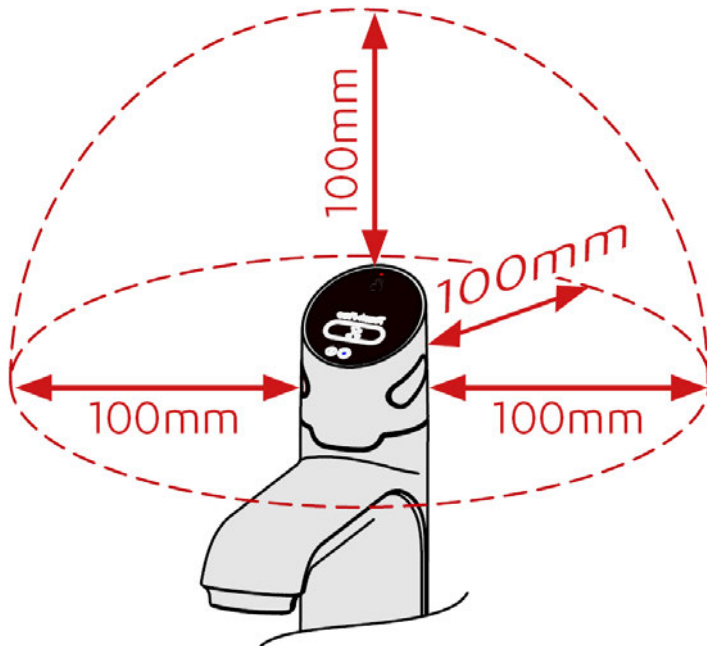
Wave on Raised font



Wave on Classic font

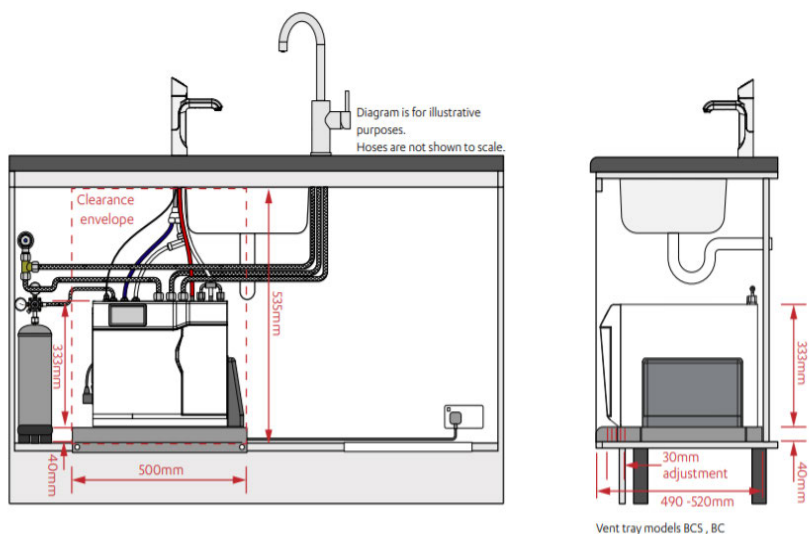


Tap Clearance

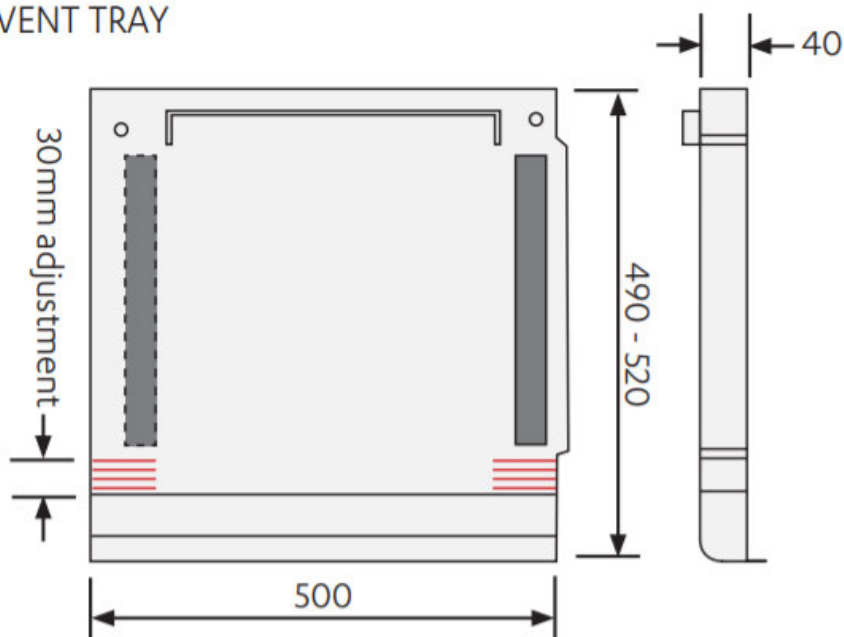


Under-counter unit installation

Clearance space required
for under counter unit









VENT TRAY



Accessories

Visit specify.zipwater.co.uk to find out more information about Zip HydroTap Touch-Free Wave Accessories

Image	SKU	Title
	95258UK	Bright chrome G5 raised font kit
	91295	CO2 Replacement cylinders 2 x 1.2kg
	FL500 KIT	Limescale prevention filter kit 3,750 litres
	FL1000 KIT	Limescale prevention filter kit 7,000 litres
	FL1500 KIT	Limescale prevention filter kit 10,000 litres
	FL2000 KIT	Limescale prevention filter kit 16,500 litres