

Zip HydroTap Touch-Free Wave



STANDARD



FILTERED: **BOILING** **CHILLED** **SPARKLING**

With an increased consideration around hygiene in the workplace, the new Zip HydroTap Touch-Free Wave, with smart infrared sensors provides a 100% touch-free, safe to use solution for staff to access instant boiling, chilled and sparkling drinking water with a simple wave of the hand.

MODEL	MIXED HOT AND COLD	FILTRATION 0.2 MICRON	FONT	CO ₂	NOMINAL POWER RATING KW	COMMAND CENTRE DIMENSIONS W X D X H
HTW761UK	N	Y	Y	Y	2.13 kW @ 230V	338mm x 461mm x 335mm

Features and benefits

Advanced filtration

Integral 0.2 micron NSF certified Zip MicroPurity filtration system offers 25 times better filtration than a standard water filter jug, eliminating bad taste and odour of chlorine, heavy metals and impurities as tiny as one five-thousandth of a millimetre, but leaving beneficial fluoride.

Power-Pulse™ technology

Reduces energy consumption by allowing the system to regulate its power during periods of high and low usage.

Unique safety features

The Zip HydroTap is designed with safety front of mind, with boiling isolation, cool touch tap and safety lock features.

Touchscreen diagnostics

The compact under-counter unit includes a simple PIN code protected touchscreen that puts the user in total control of the system, including temperature, dispensing time, safety features, energy-saving settings and continuous auto-diagnostics.

Product detail

Specification type

Product code	HTW761UK
Product name	HydroTap G4 Touch Free Wave boiling chilled sparkling 140/75 bright chrome for work

Capacity, weights & dimensions

Water functions	Boiling, Chilled, Sparkling
Boosted boiling capacity	140 Cups per hour
Chilled capacity	75 Glasses per hour
Sparkling capacity	75 Glasses per hour
Unit dimension (W x D x H)	338mm x 461mm x 335mm
Product weight - empty / full	30kg / 35kg

Plumbing

Wholesome water inlet supply required	Cold Feed
Supply pressure range	2.5bar - 5bar
Supply connection (hot & cold)	1 x isolated 1/2" bsp BSP fitting (flexible supply hoses included)
Installation	Must comply with current water supply regulations

Electrical

Command centre power rating	2.13 kW @ 230V
Voltage supply	13 amps
Power supply requirements	2 x 13amp socket outlet
Cable length	1.8m fitted with UK standard 3-pin plug
Installation	Must comply with current IEE regulations

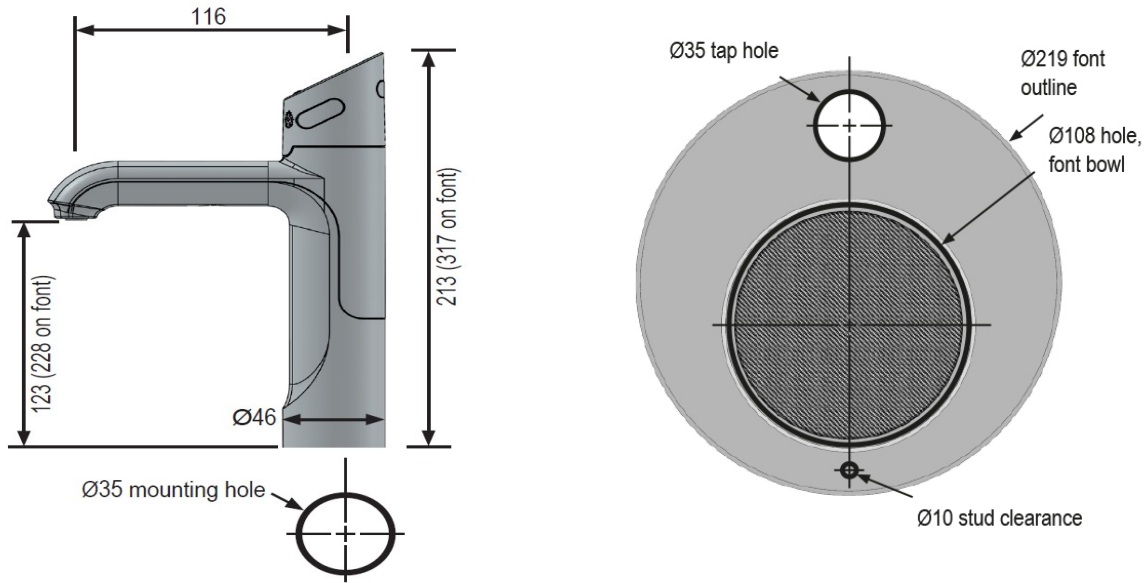
Tap design

Style	HydroTap Touch-Free Wave
Finish	Bright Chrome
Installation hole cut size	35mm
Rotation	Fixed
Disability options	No
Country of Origin	Australia

Command centre

Factory temperature boiling	98°C
Factory temperature chilled	3-5°C
Filtration	0.2 Micron Filter Cartridge
Flow rate	3.0-4.0 l/min
Wholesome water supply requirements	Cold Feed
Refrigerant	R134a
Tank material	PPS
Country of origin	Australia

Tap installation



Under-counter unit installation

Clearance space required
for under counter unit

